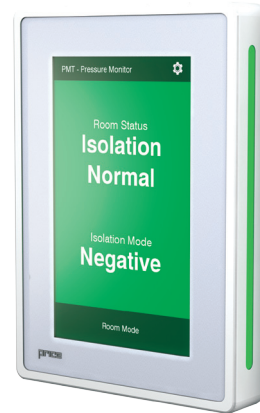


PRODUCT OVERVIEW

TOUCHSCREEN ROOM PRESSURE MONITOR (PMT)

The Touchscreen Room Pressure Monitor (PMT) provides precise room pressure monitoring for critical spaces such as isolation rooms, operating rooms, and compounding pharmacies. The monitor meets both the ASHRAE 170 Healthcare Ventilation Standard and the USP 800 and USP 797 Hazardous Drugs - Handling in Healthcare Settings requirements. Using an innovative contamination resistant pressure sensor (RPS), the PMT can accurately measure room pressure without risk of degradation over time. The PMT utilizes native BACnet MS/TP communication to seamlessly connect into the Building Management System. The touchscreen monitor is BTL certified, providing simple yet dependable network integration.



Product Features

PMT:

- Maintenance free pressure sensor
- Android operating system
- Native BACnet MS/TP
- High resolution touchscreen display
- Multi-stage surge protection against voltage spikes on 24 VAC input
- Audible and visual alarms
- LED side bars that offer 180 degree viewing of current room status
- Multi-level password protected menus
- Setup Wizard – walk through setup of PMT when first powered up

PMT Inputs/Outputs:

- Door switch
- Analog pressure output
- Alarm relay contact
- Room Mode Key Switch

Room Pressure Sensor (RPS) Features:

- Simple connections using plug and play RJ-12 jack
- Stainless steel louvered wall plate
- Indicator LED shows proper connection

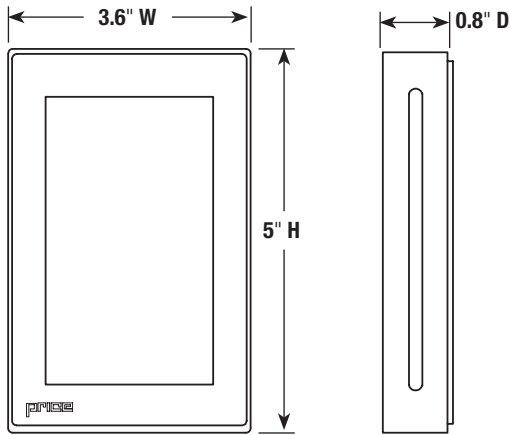
SPECIFICATIONS

- Dimensions:** 3.61 x 5.00 x 1.45 in. (91.75 x 127.00 x 36.86 mm)
- Display Type:** Capacitive touch, 4.3 in. (10.9 cm) TFT/IPS, dimmable
- Resolution:** WVGA RGB 480 px x 800 px
- Range:** +/- 0.1 in.w.c. (+/- 25 Pa)
- Accuracy:** 3% of reading + 0.0008 in.w.c. (0.02 Pa)
- Input Power:** 24 VAC +/- 10%, 50/60 Hz, 10 VA, Class 2
- Environmental (operating):** 50 °F to 95 °F (10 °C to 35 °C), 0% to 95% R.H. (non-condensing)
- Environmental (storage):** -22 °F to 122 °F (-30 °C to 50 °C), 0% to 95% R.H. (non-condensing)
- Inputs:** 1 binary input 1 binary/analog input
- Outputs:** 2 Analog outputs (0-10 VDC, max: 10 mA), 1 dry binary output (max: 24 VAC/VDC, 100 mA)
- Communication Protocol:** BACnet® MS/TP

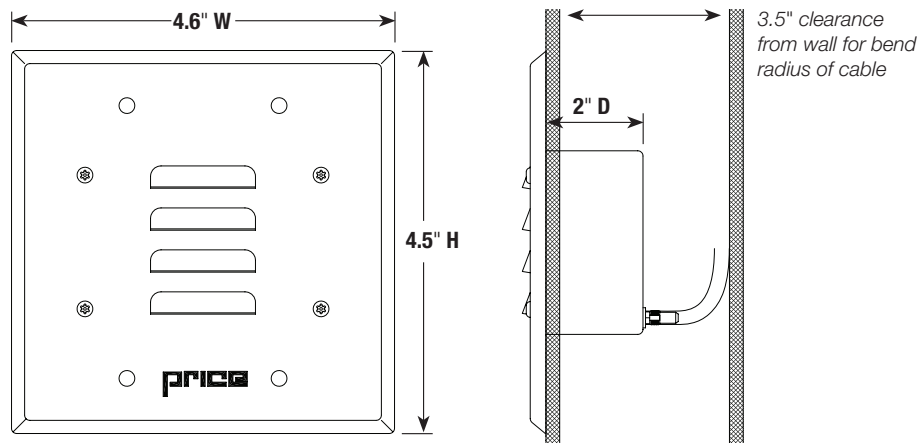
Specifications subject to change without notice

DIMENSIONAL DATA

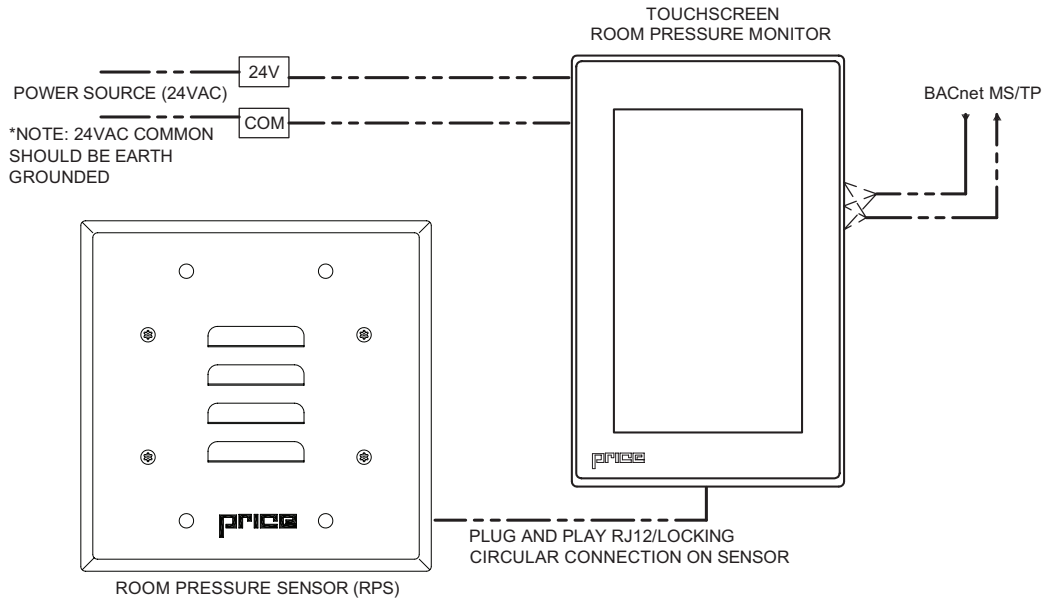
PMT: 5" H x 3.6" W x 0.8" D -Antimicrobial flame retardant ABS



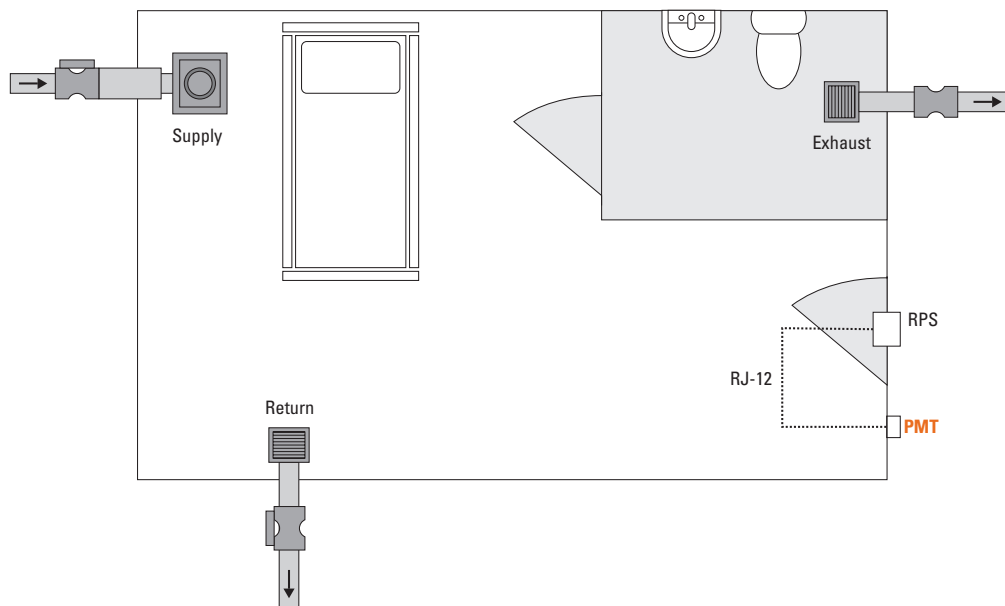
RPS: 4.5" H x 4.6" W x 2" D Stainless steel with fire retardant ABS sensor cover



TYPICAL WIRING



TYPICAL APPLICATION



SELECTION CHART

| | PM Room Pressure Monitor | PMX Room Pressure Monitor Deluxe | PMT Touchscreen Room Pressure Monitor | PC Room Pressure Controller | TC Tracking Controller | VC Valve Controller |
|---------------------------|------------------------------------|--|---|---------------------------------------|----------------------------------|-------------------------------|
| Direct Pressure Control | | | | X | | |
| Dynamic Pressure Control | | | | X | | |
| Volumetric Offset Control | | | | X | X | |
| Temperature Control | | | | X | X | X |
| Humidity Control | | | | X | | |
| Pressure Monitor | X | X | X | X | | |
| Secondary Room Support | | X | | X | | |
| BACnet Communication | | X | X | X | X | X |
| Analog Pressure Output | | X | X | X | | |
| Remote Station Interface | | X | | X | | |
| Door Switch Input | | X | X | X | | |
| Keyswitch Interface | | X | X | X | | |
| Touchscreen Display | | | X | | | |

PRODUCT CODE

PMT-RPS-BAC-DSS-KSW

| Product | Interface Type | Network | Door Switch | Room Mode Key Switch |
|--|-----------------------------------|----------------------------------|--|---|
| PMT - Touchscreen Room Pressure Monitor | RPS - Room Pressure Sensor | BAC - Native BACnet MS/TP | DSS - Door Switch Surface Mount DSF - Door Switch Flush Mount | KSW - Isolation/Setback Key Switch |