

**PRODUCT OVERVIEW**

# ROOM PRESSURE MONITOR DELUXE (PMX)

The Room Pressure Monitor Deluxe (PMX) is designed to provide intelligent room pressure monitoring of critical environments with native BACnet communication. Using the latest in microcontroller and sensor technologies the PMX can measure extremely small pressures and display the readings on the local LCD display (RPI). The RPI features visual and audible alarms signaling unsafe conditions with illuminating sidebars provide 180 degree visual status from anywhere in the corridor. The PMX has support for up to 2 room pressure sensor (RPS) assemblies and can simultaneously monitor a primary and secondary (Ante) room. Commissioning software allows quick and thorough setup of the PMX system with the ability to generate a printable test report.



## Product Features

### PMX:

- Measures differential pressure between spaces (up to 2)
- High speed flash based microprocessor
- Multi-stage surge protection against voltage spikes on 24 VAC input
- Native BACnet MS/TP Connection
- LED's for BACnet data TX/RX, BACnet wiring fault, and MS/TP termination
- Pluggable terminal blocks
- Electrical enclosure with 24 VAC transformer
- Door switch inputs to disable alarm when door is opened
- Optional remote alarm panel (Nurses' Station)

### RPS Features:

- Simple connections using plug and play RJ-12 jacks
- Stainless steel louvered wall plate
- Indicator LED shows proper connection

### RPI Features:

- Designed with audible and visual alarms
- RPI Backlit LCD Screen with LED side bars that offer 180 degree viewing of current room status
- RPI Password protected menus
- Easy to use menu system for fast and simple setup of system
- Service port on back for use with Price LINKER2 setup software
- Included RJ45 plenum rated cable for fast, error free hookup
- Setup Wizard – walk through setup of PMX when first powered up

## SPECIFICATIONS

**Integrated Transformer:** 120/208/240/277 VAC to 24 VAC, 50/60 Hz, 50VA Class 2

**Input Power (PM):** 24 VAC, 50/60 Hz, 10VA (plus external loads), Class 2

**Environmental (operating):** 10 C to 50 C (50 F to 122 F), 0% to 95% R.H. (non-condensing)

**Environmental (storage):** -30 C to 50 C (-22 F to 122 F), 0% to 95% R.H. (non-condensing)

**Inputs:** 2 Binary inputs: (Configurable for either door switches or duct pressure status from LMX)

4 Analog inputs: 0-10 VDC inputs (configurable for valve/terminal airflow, duct pressure from LMX)

**Differential pressure sensor:** ±25 Pa (0.1 in. wg), accuracy better than 0.2% FS near zero, temperature compensated

**Outputs:** 2 dry binary outputs rated at 0.2 amps each (maximum 24 VAC/VDC), protected with thermal fuse

2 analog outputs: (10mA maximum, 0-10 VDC), configurable for pressure and alarm outputs

**Indicators:** RGB LEDs on RPI side indicator bars and LCD screen  
Status LEDs on all I/O

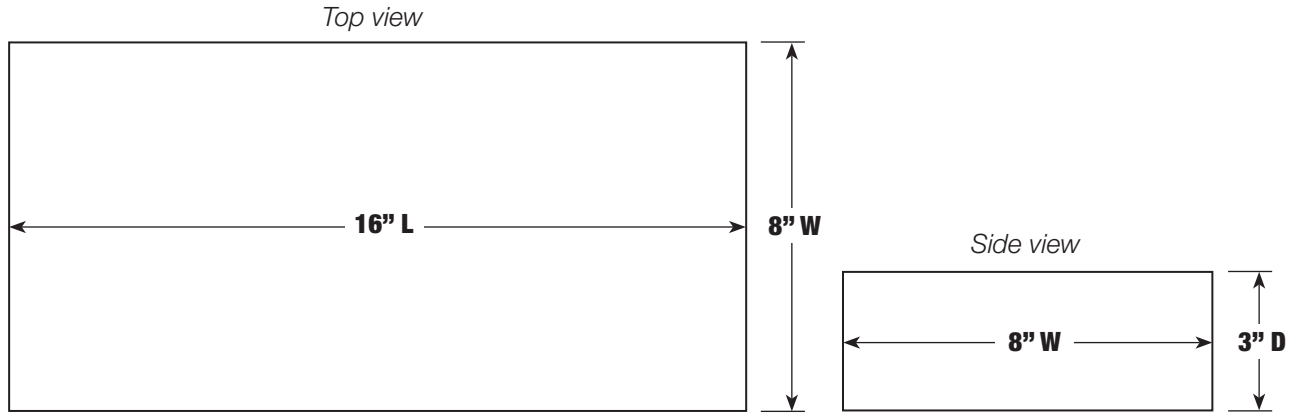
**Remote Panel:** 6 conductor connection to Price remote alarm panel

**Connections:** RJ45, RJ-12, Removable terminal blocks.

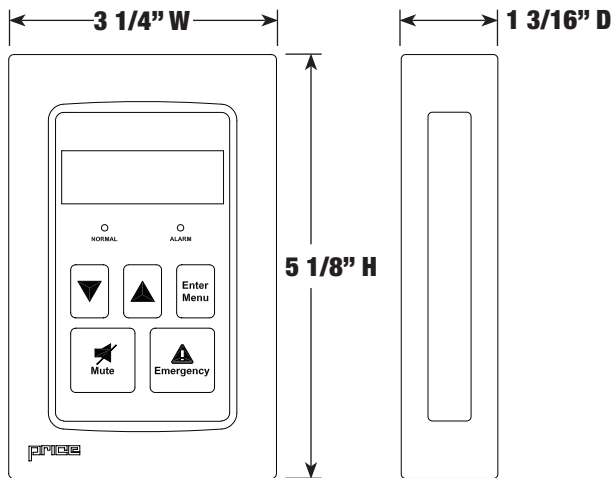
*Specifications subject to change without notice*

**DIMENSIONAL DATA**

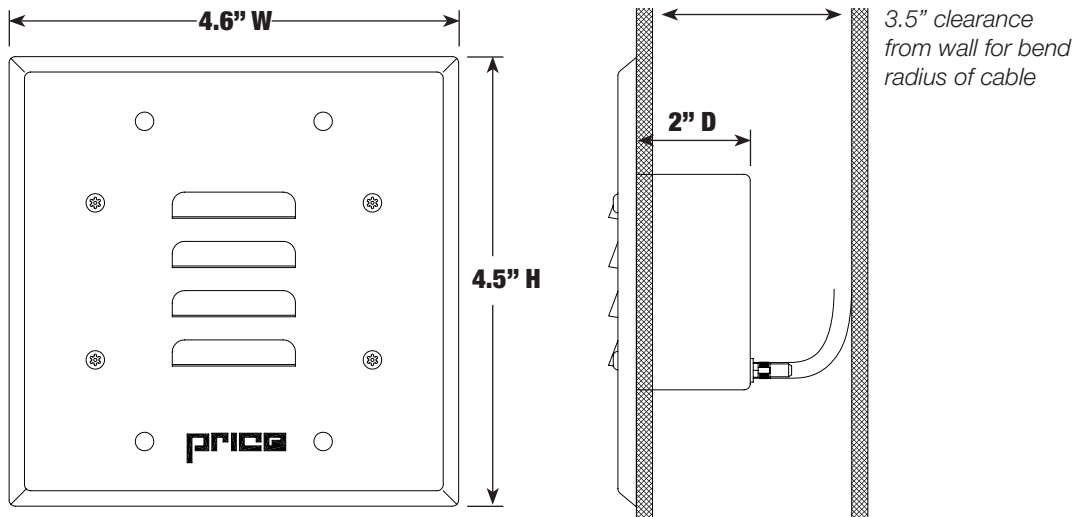
**Electrical Enclosure:** 8"W x 16"L x 3"D Powder Coat White Paint Finish



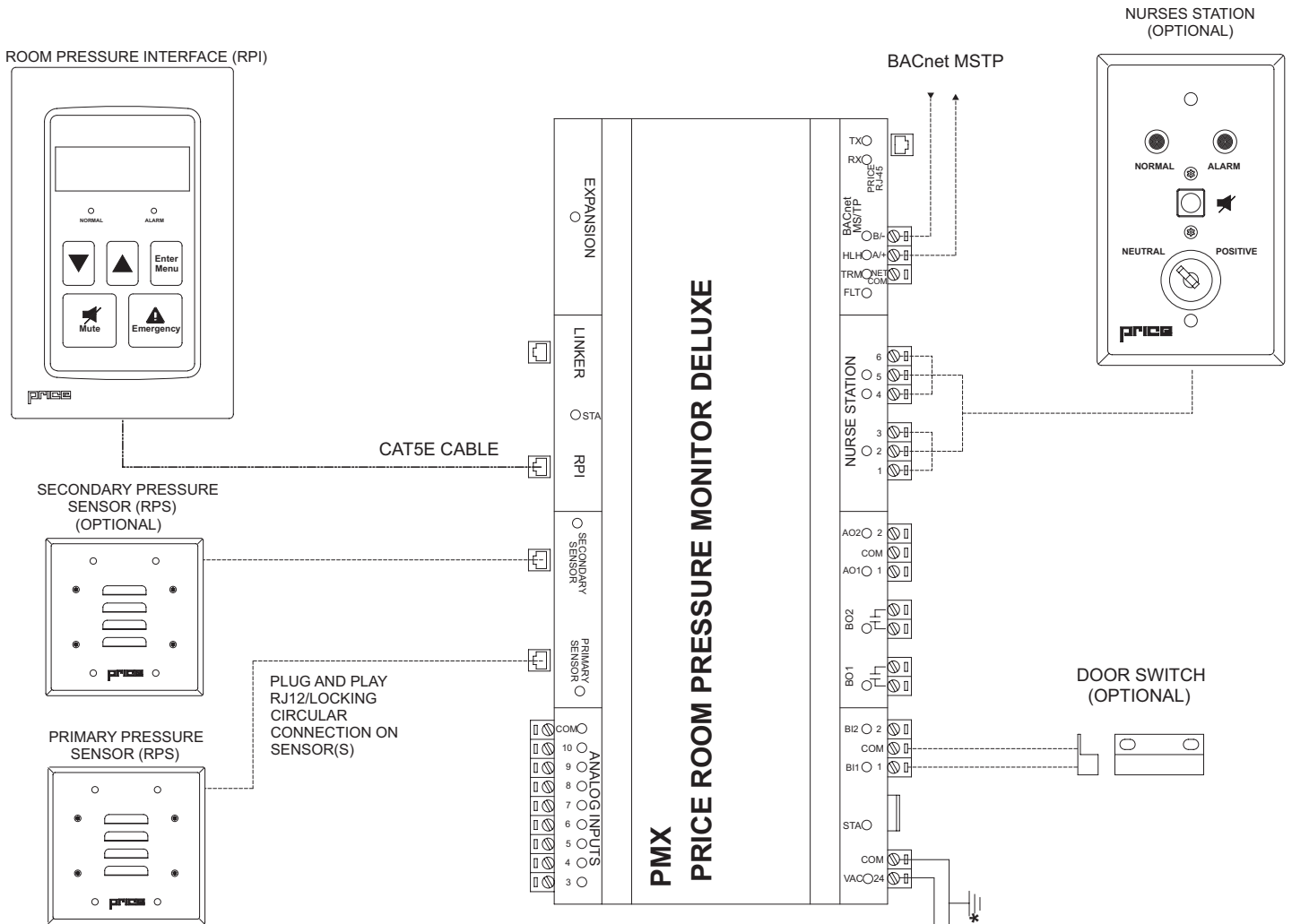
**RPI Display:** 5 1/8"H x 3 1/4" W x 1 3/16" D Fire Retardant Anti-Bacterial Plastic



**RPS Wall Plate:** 4.5" H x 4.6" W x 2" D Stainless Steel with Fire Retardant Plastic Sensor Cover



**TYPICAL WIRING**

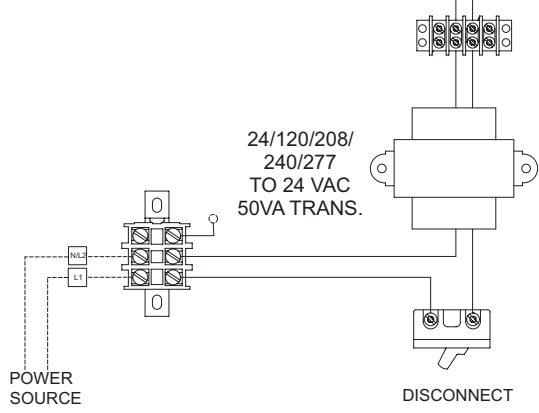


**NOTES:**

- RPI DISPLAY IS WIRED WITH CAT-5 CABLE WITH MODULAR RJ-45 CONNECTORS. CABLE SUPPLIED WITH DISPLAY
- TRANSFORMER SECONDARY MUST BE GROUNDED

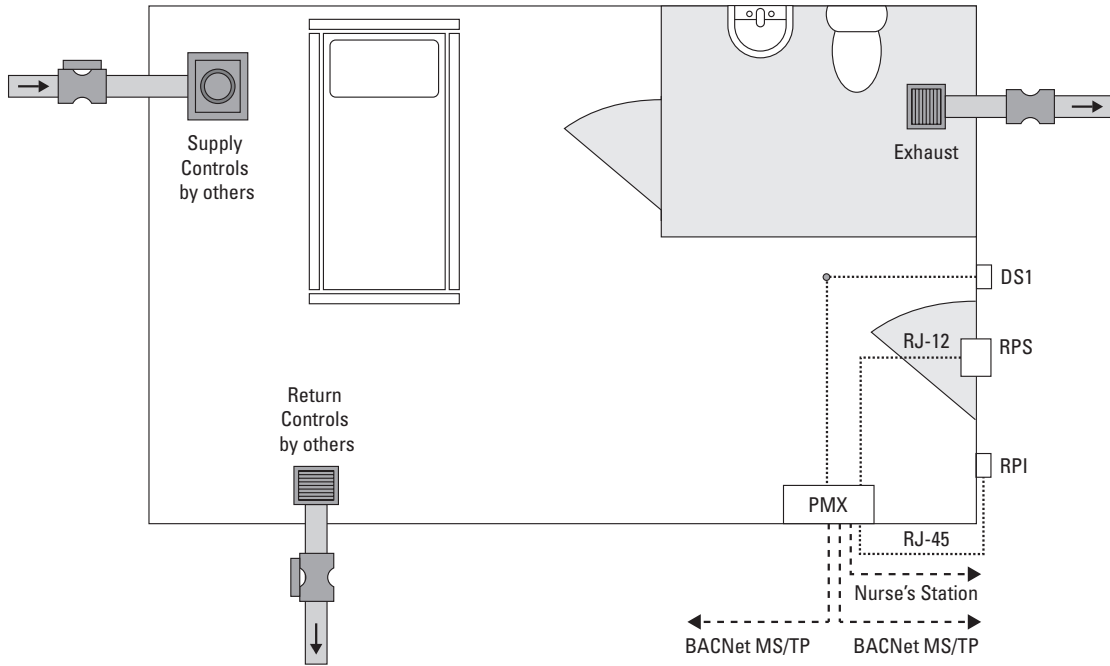
**LEGEND**

- FACTORY ELECTRICAL WIRING
- FIELD ELECTRICAL WIRING
- CAT5E CABLE

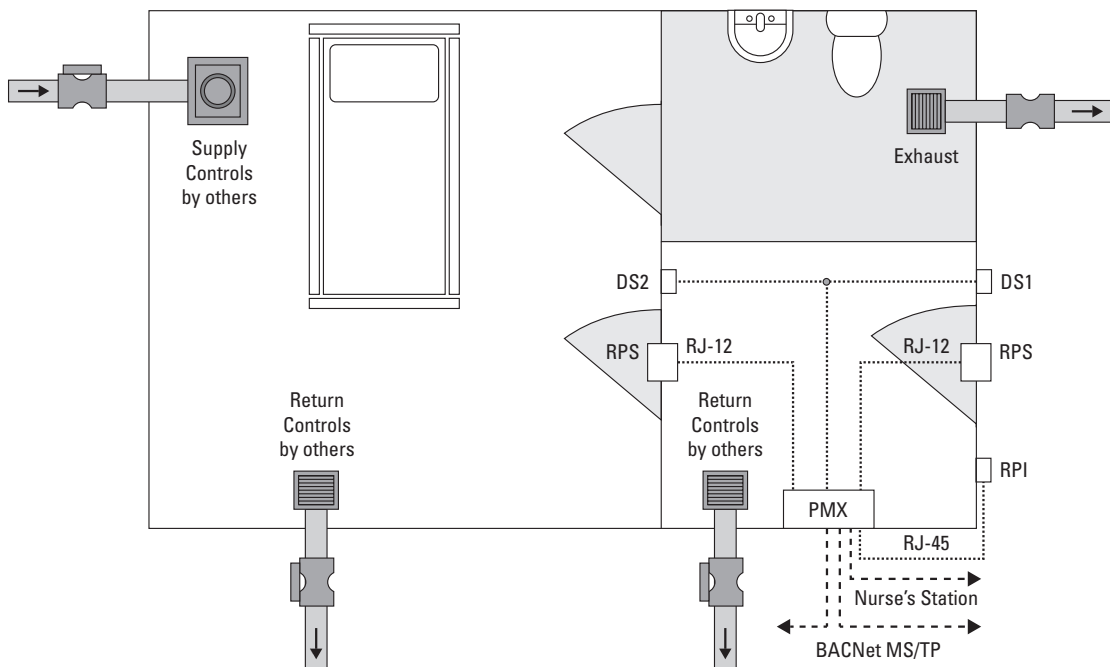


**TYPICAL APPLICATION**

PMX – Room Pressure Monitor



PMX – Room Pressure Monitor with Anteroom Support



**SELECTION CHART**

	<b>PM</b> Room Pressure Monitor	<b>PMX</b> Room Pressure Monitor Deluxe	<b>PMT</b> Room Pressure Monitor Touchscreen	<b>PC</b> Room Pressure Controller	<b>TC</b> Tracking Controller	<b>VC</b> Valve Controller
Direct Pressure Control				X		
Dynamic Pressure Control				X		
Volumetric Offset Control				X	X	
Temperature Control				X	X	X
Humidity Control				X		
Pressure Monitor	X	X	X	X		
Secondary Room Support		X		X		
BACnet Communication		X	X	X	X	X
Analog Pressure Output		X	X	X		
Remote Station Interface		X		X		
Door Switch Input		X	X	X		
Keyswitch Interface		X	X	X		
Touchscreen Display			X			

**PRODUCT CODE**

**PMX-RPI-RPS1-BAC-NSK**

<b>Product</b>	<b>Interface Type</b>	<b># of Pressure Sensors</b>	<b>Network Type</b>	<b>Nurse's Station Monitor</b>
<b>PMX</b> - Price Room Pressure Monitor Deluxe	<b>RPI</b> - LCD Room Pressure Interface	<b>RPS1</b> - One Room Pressure Sensor <b>RPS2</b> - Two Room Pressure Sensors	<b>BAC</b> - Native BACnet MS/TP Network*	<b>NS</b> - Remote Audible & Visible Alarm <b>NSK</b> - Remote Audible & Visible Alarm with Keyswitch for Isolation/Setback