

**PRODUCT OVERVIEW**

# ROOM PRESSURE MONITOR (PM)

The Room Pressure Monitor (PM) is designed to provide intelligent room pressure monitoring of critical environments. Using the latest in microcontroller and sensor technologies the PM can measure extremely small pressures and display the readings on the local LCD display. The PM features visual and audible alarms signaling unsafe conditions with illuminating sidebars provide 180 degree visual status from anywhere in the corridor. The PM measures the differential room pressure through the room pressure sensor (RPS) assembly. Commissioning software allows quick and thorough setup of the PM system with the ability to generate a printable test report.



## Product Features

**PM:**

- Measures differential pressure between spaces
- Designed with audible and visual alarms
- Backlit LCD Screen with LED side bars that offer 180 degree viewing of current room status
- Password protected menus
- Easy to use menu system for fast and simple setup of system

- Service port on back for use with Price LINKER2 setup software
- Setup Wizard – walk through setup of PM when first powered up

**RPS Features:**

- Simple connections using plug and play RJ-12 jacks
- Stainless steel louvered wall plate
- Indicator LED shows proper connection

**SPECIFICATIONS**

**Included Transformer:** 120/277 VAC to 24 VAC, 50/60 Hz, 20VA Class 2

**Input Power:** 24 VAC, 50/60 Hz, 10VA, Class 2

**Environmental (operating):** 10°C to 50°C (50°F to 122°F), 0% to 95% R.H. (non-condensing)

**Environmental (storage):** -30°C to 50°C (-22°F to 122°F), 0% to 95% R.H. (non-condensing)

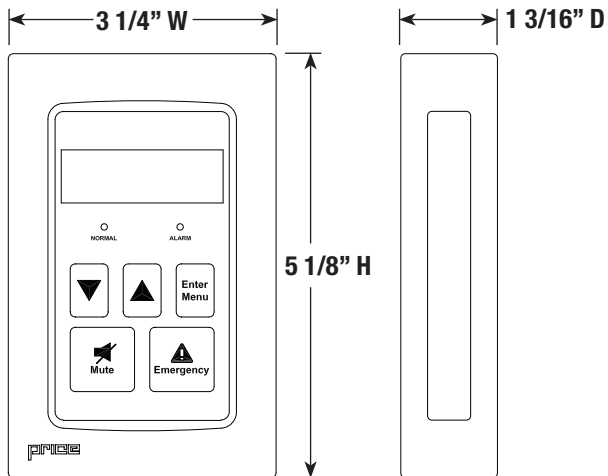
**Differential pressure sensor:** ±25 Pa (0.1 in. wg), accuracy better than 0.2% FS near zero, temperature compensated

**Indicators:** RGB LEDs on PM side indicator bars and LCD screen

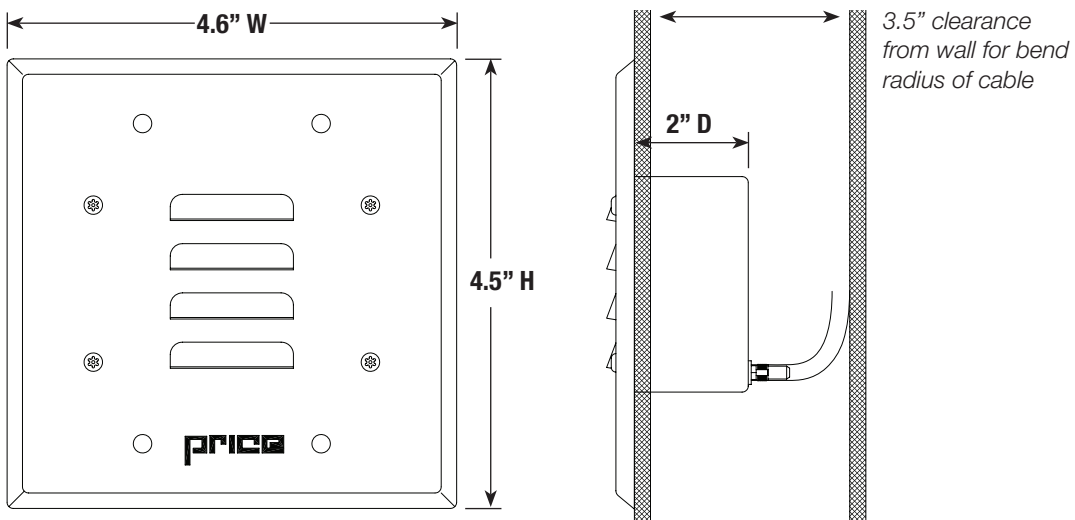
**Connections:** RJ-12  
Removable terminal block

**DIMENSIONAL DATA**

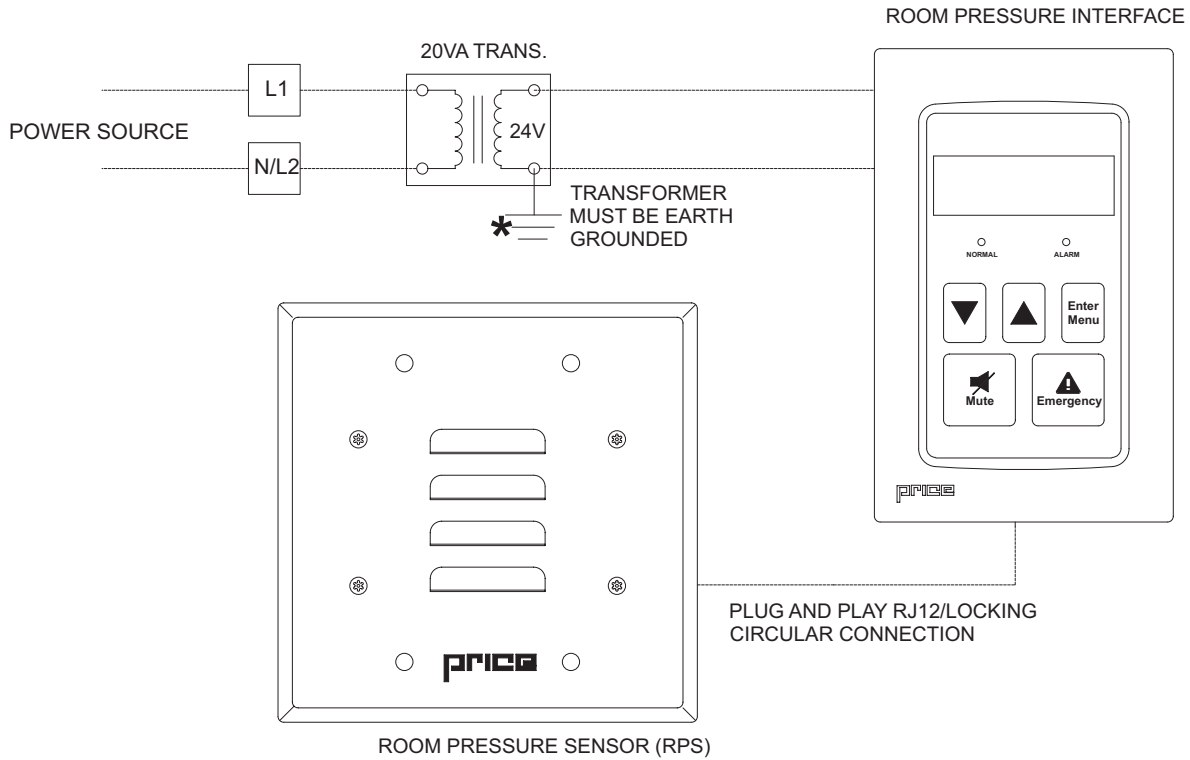
**RPI Display:** 5 1/8”H x 3 1/4” W x 1 3/16” D - Fire Retardant Anti-Microbial Plastic



**RPS Wall Plate:** 4.5” H x 4.6” W x 2” D Stainless Steel with Fire Retardant Plastic Sensor Cover

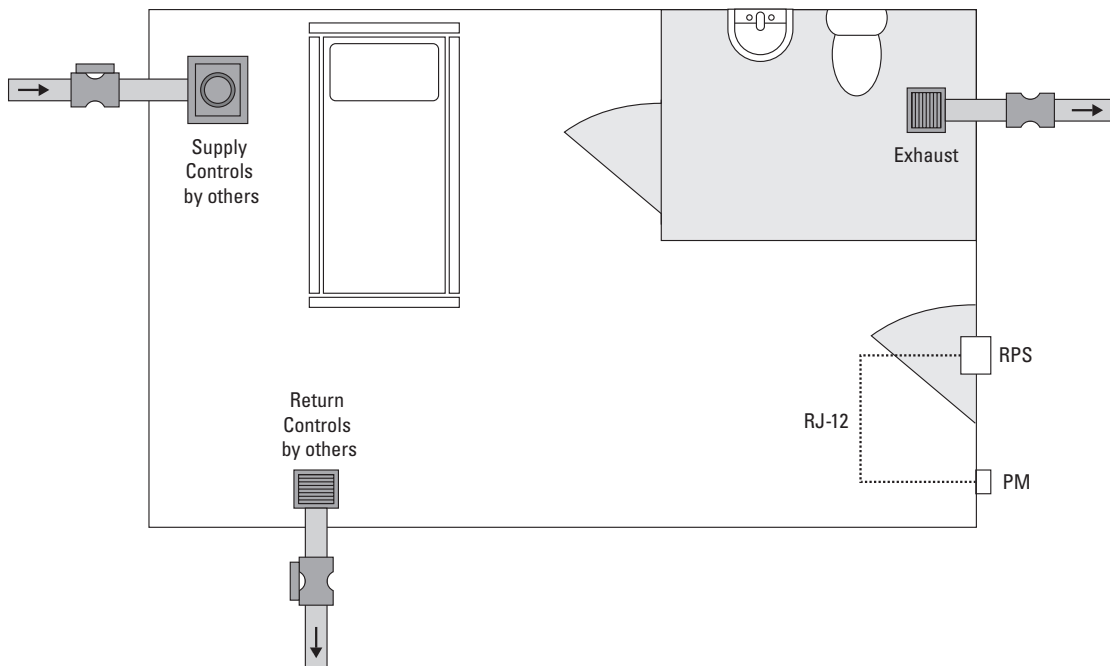


**TYPICAL WIRING**



**TYPICAL APPLICATION**

PM – Room Pressure Monitor



**SELECTION CHART**

	<b>PM</b> Room Pressure Monitor	<b>PMX</b> Room Pressure Monitor Deluxe	<b>PMT</b> Room Pressure Monitor Touchscreen	<b>PC</b> Room Pressure Controller	<b>TC</b> Tracking Controller	<b>VC</b> Valve Controller
Direct Pressure Control				X		
Dynamic Pressure Control				X		
Volumetric Offset Control				X	X	
Temperature Control				X	X	X
Humidity Control				X		
Pressure Monitor	X	X	X	X		
Secondary Room Support		X		X		
BACnet Communication		X	X	X	X	X
Analog Pressure Output		X	X	X		
Remote Station Interface		X		X		
Door Switch Input		X	X	X		
Keyswitch Interface		X	X	X		
Touchscreen Display			X			

**PRODUCT CODE**

**PM-RPI**

