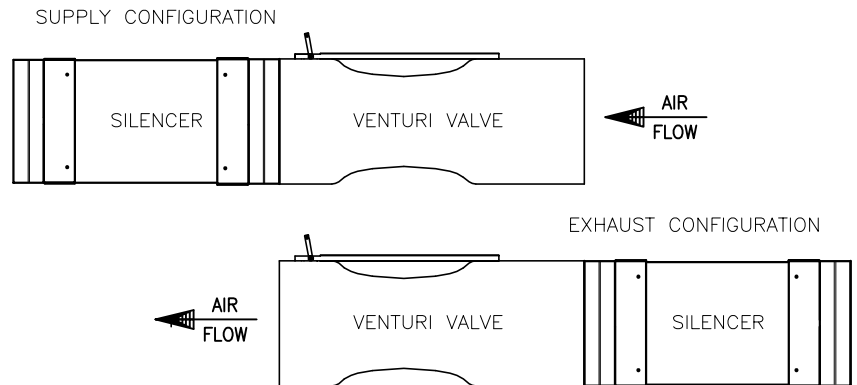


UNIT SIZE	W inches (mm)	H inches (mm)	D inches (mm)
8	8 (203)	8 (203)	8 (203)
10	10 (254)	10 (254)	10 (254)
12	12 (305)	12 (305)	12 (305)
14	14 (356)	14 (356)	14 (356)

SILENCER ARRANGEMENTS:



SILENCER NOTES:

- PACKLESS SILENCER, NO ABSORPTIVE MEDIA, MECHANICALLY FASTENED CONSTRUCTION.
- ALL MATERIALS USED IN CONSTRUCTION OF SILENCER MEET OR EXCEED FLAME SPREAD CLASSIFICATION OF 25 AND A SMOKE DEVELOPMENT RATING OF 50 WHEN TESTED IN ACCORDANCE WITH ASTM E84, UL723 AND NEPA255
- SLIP CONNECTION BOTH ENDS
- SHIPPED LOOSE FOR FIELD INSTALLATION

SILENCER OPTIONS:

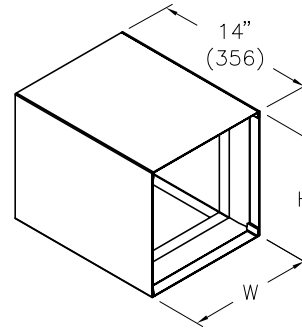
CONSTRUCTION OPTIONS:

- GALV - 22ga GALVANIZED STEEL
- 304 SS - 24ga TYPE 304 STAINLESS STEEL
- 316 SS - 24ga TYPE 316 STAINLESS STEEL

ALL METRIC DIMENSIONS () ARE SOFT CONVERTED. IMPERIAL DIMENSIONS ARE CONVERTED TO METRIC AND ROUNDED TO THE NEAREST MILLIMETER.

PROJECT:		PRICE®
ENGINEER:		
CUSTOMER:		258948
SUBMITTAL DATE:	SPEC. SYMBOL:	2015/03/13
		VENTURI VALVE PACKLESS SILENCER 14" LENGTH SINGLE VALVE

UNIT SIZE	W	H
	In. (mm)	In. (mm)
210	11 (279)	11 (279)
212	13 (330)	13 (330)
214	15 (381)	15 (381)
312	13 (330)	13 (330)



SILENCER NOTES:

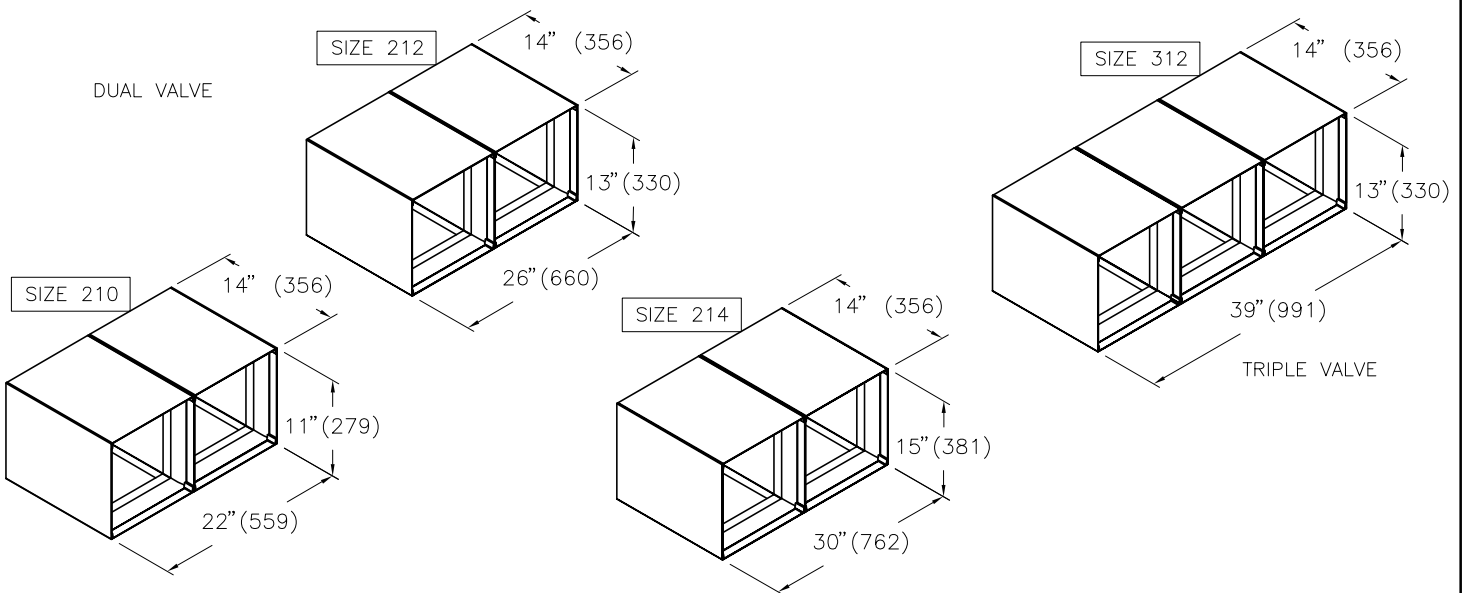
- PACKLESS SILENCER, NO ABSORPTIVE MEDIA, MECHANICALLY FASTENED CONSTRUCTION.
- ALL MATERIALS USED IN CONSTRUCTION OF SILENCER MEET OR EXCEED FLAME SPREAD CLASSIFICATION OF 25 AND A SMOKE DEVELOPMENT RATING OF 50 WHEN TESTED IN ACCORDANCE WITH ASTM E84, UL723 AND NEPA255
- SLIP CONNECTION BOTH ENDS
- SHIPPED LOOSE FOR FIELD INSTALLATION

SILENCER OPTIONS:

CONSTRUCTION OPTIONS:

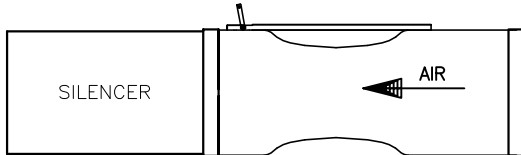
- GALV – 22ga GALVANIZED STEEL
- 304 SS – 24ga TYPE 304 STAINLESS STEEL
- 316 SS – 24ga TYPE 316 STAINLESS STEEL

SILENCER SECTION SPECIFICATIONS:

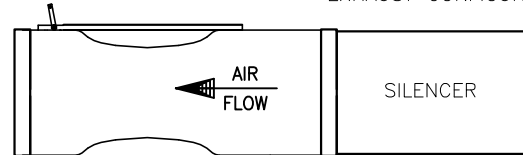


SILENCER ARRANGEMENTS:

SUPPLY CONFIGURATION



EXHAUST CONFIGURATION



ALL METRIC DIMENSIONS () ARE SOFT CONVERTED. IMPERIAL DIMENSIONS ARE CONVERTED TO METRIC AND ROUNDED TO THE NEAREST MILLIMETER.

PROJECT:		PRICE®		
ENGINEER:		VENTURI VALVE PACKLESS SILENCER 14" LENGTH MULTIBODY VALVE		
CUSTOMER:				258948
SUBMITTAL DATE:	SPEC. SYMBOL:			2014/02/20