

VENTURI CONNECTION ACCESSORIES FOR FIELD INSTALLATION

**DRAWBAND CLAMPS (DBC)**

- VALVE ATTACHED TO DUCT WITH DRAWBAND CLAMPS, SLIP CONNECTION BOTH ENDS, SIZES 8, 10, 12 & 14 ONLY

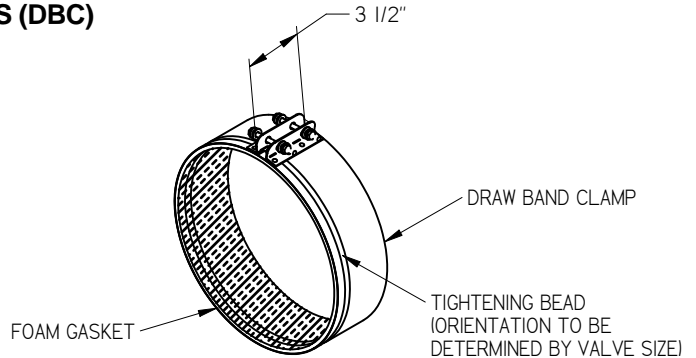
**CONSTRUCTION NOTES:**

- FABRICATED FROM 24 Ga GALVANIZED STEEL (GL)
- .25" UL 94 ELASTOMERIC FOAM
- MECHANICALLY FASTENED

**OPTIONS:**

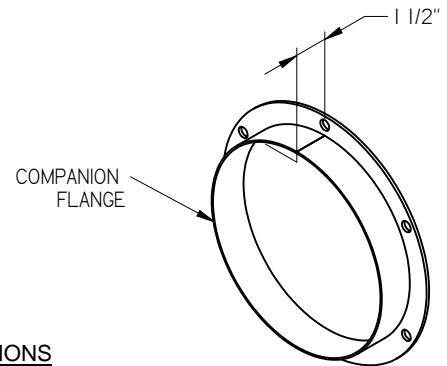
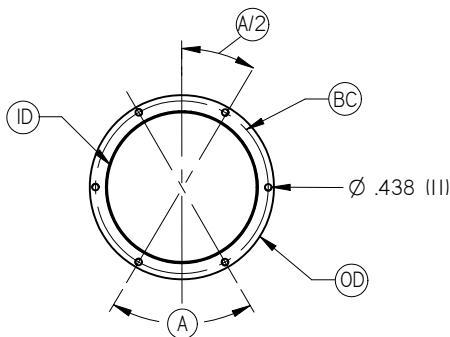
- PTFE ADHESIVE TAPE FOR CORROSIVE AIR APPLICATION (VIT)

NOTE: PLEASE REFER TO VENTURI VALVE USER GUIDE FOR INSTALLATION INSTRUCTIONS.



**COMPANION FLANGES (CFL)**

- VALVE FLANGE ATTACHED TO DUCT WITH COMPANION FLANGE, FLANGE-SLIP ENDS CONNECTION, SIZES 8, 10, 12 & 14 ONLY



**FLANGED END SPECIFICATIONS**

| UNIT SIZE | NUMBER OF BOLT HOLES | BC             | OD          | A       | ID (MAX DUCT OD) |
|-----------|----------------------|----------------|-------------|---------|------------------|
|           |                      | in. (mm)       | in. (mm)    | Degrees | in. (mm)         |
| 8         | 6                    | Ø 9.25" (235)  | Ø 10" (254) | 60      | Ø 8.25" (210)    |
| 10        | 6                    | Ø 11.25" (286) | Ø 12" (305) | 60      | Ø 10.25" (260)   |
| 12        | 6                    | Ø 13.25" (337) | Ø 15" (381) | 60      | Ø 12.25" (311)   |
| 14        | 8                    | Ø 15.75" (400) | Ø 17" (432) | 45      | Ø 14.25" (362)   |

**MATERIAL OPTIONS:**

- ALUMINUM (AL)
- 316 STAINLESS STEEL (SS)

**FIELD NOTES:**

- COMPANION FLANGE TO BE SLID ONTO DUCT WITH 1.5" OVERLAP
- COMPANION FLANGE TO BE MECHANICALLY FASTENED TO THE VALVE FLANGE

NOTE: PLEASE REFER TO VENTURI VALVE USER GUIDE FOR INSTALLATION INSTRUCTIONS.

ALL METRIC DIMENSIONS ( ) ARE SOFT CONVERTED. IMPERIAL DIMENSIONS ARE CONVERTED TO METRIC AND ROUNDED TO THE NEAREST MILLIMETER.

|                 |  |   |
|-----------------|--|---|
| PROJECT:        |  | <b>PRICE</b>  |
| ENGINEER:       |  |   |
| CUSTOMER:       |  | <b>265375</b>   |
| SUBMITTAL DATE: |  | <b>2015/01/27</b>                                       |
| SPEC. SYMBOL:   |  | <b>VCT-1-1<br/>VENTURI VALVE<br/>CONNECTION OPTIONS</b> |