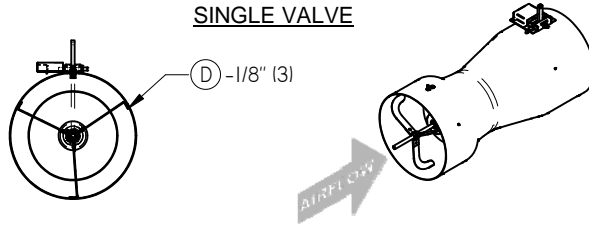
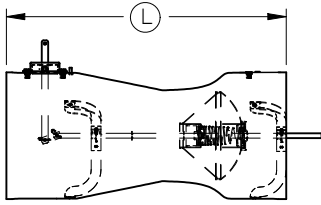


VENTURI VALVE

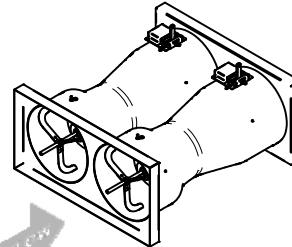
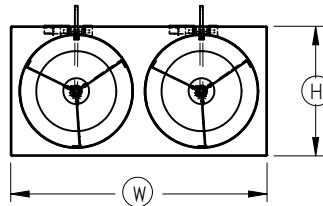
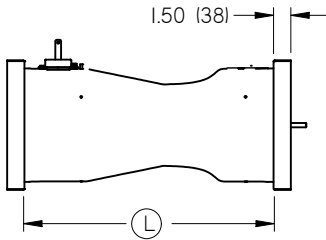
SINGLE VALVE



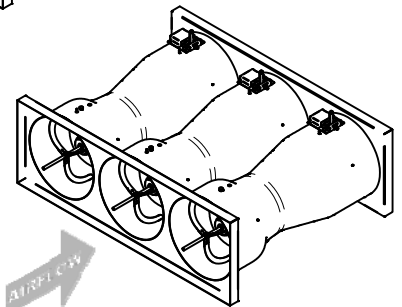
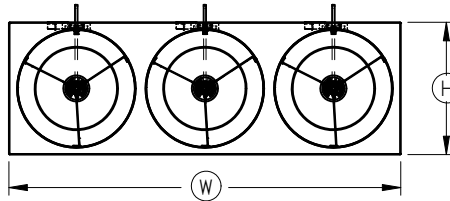
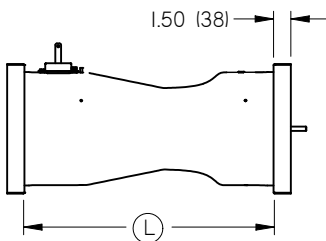
SINGLE VALVE			
UNIT SIZE	D	L	WEIGHT*
	in.(mm)	in.(mm)	lb.(kg)
8	8 (203)	23.50 (597)	19 (9)
10	10 (254)	21.75 (552)	20 (9)
12	12 (305)	27.00 (686)	22 (10)
14	14 (356)	30.00 (762)	24 (11)

*WEIGHTS ARE ± 3lbs (1kg) DEPENDING ON OPTIONS

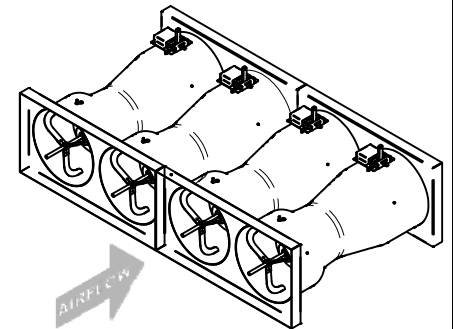
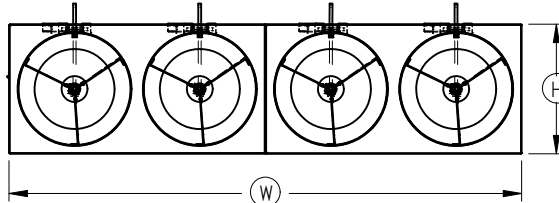
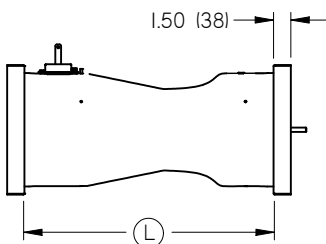
DUAL VALVE



TRIPLE VALVE



QUAD VALVE



*SEE SHEET 4 FOR DETAILED SLIP/FLANGED ENDS SPECIFICATIONS

MULTIPLE VALVE				
UNIT SIZE	L	H	W	WEIGHT*
	in.(mm)	in.(mm)	in (mm)	lb (kg)
210	21.75 (552)	11.250 (286)	22.250 (565)	34 (15)
212	27.00 (686)	13.250 (337)	26.250 (667)	40 (18)
214	30.00 (762)	15.250 (387)	30.250 (768)	45 (20)

*WEIGHTS ARE ± 5lbs (2kg) DEPENDING ON OPTIONS

MULTIPLE VALVE				
UNIT SIZE	L	H	W	WEIGHT*
	in.(mm)	in.(mm)	in (mm)	lb (kg)
312	27.00 (686)	13.250 (337)	39.250 (997)	58 (26)
314	30.00 (762)	15.250 (387)	45.250 (1149)	65 (29)
412	27.00 (686)	13.250 (337)	52.500 (1334)	80(36)
414	30.00 (762)	15.250 (387)	60.500 (1537)	95 (43)

CONSTRUCTION NOTES:

- VALVE BODY: 14 Ga ALUMINUM
- CONE: 16 Ga ALUMINUM

- SHAFT- TEFLON COATED 316 STAINLESS STEEL
- SHAFT SUPPORTS: 316 STAINLESS STEEL
- SHAFT BEARINGS: WEAR-RESISTANT WITH TEFLON ADDITIVE

ALL METRIC DIMENSIONS () ARE SOFT CONVERTED. IMPERIAL DIMENSIONS ARE CONVERTED TO METRIC AND ROUNDED TO THE NEAREST MILLIMETER / KILOGRAM.

PROJECT:

ENGINEER:

CUSTOMER:

SUBMITTAL DATE:

SPEC. SYMBOL:



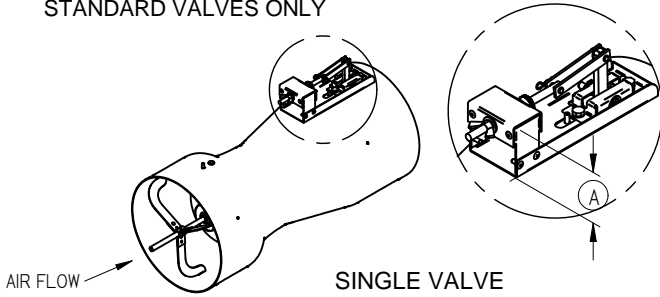
258862

2016/04/15

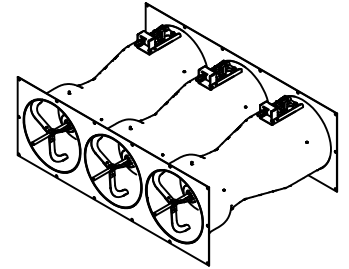
VV-1-1
VENTURI VALVE

VENTURI VALVE CONTROL OPTIONS

- CONSTANT VOLUME (CV) STANDARD VALVES ONLY



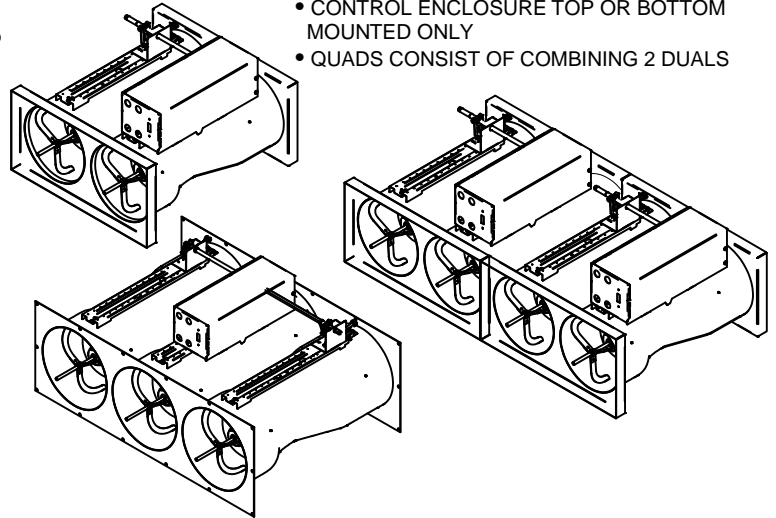
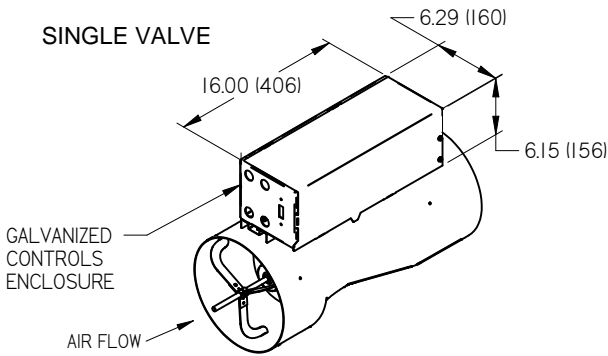
UNIT SIZE	A in (mm)
8	2.375 (60)
10	2.375 (60)
12	3.125 (79)
14	3.125 (79)



MULTIBODY VALVE (TRIPLE VALVE SHOWN)

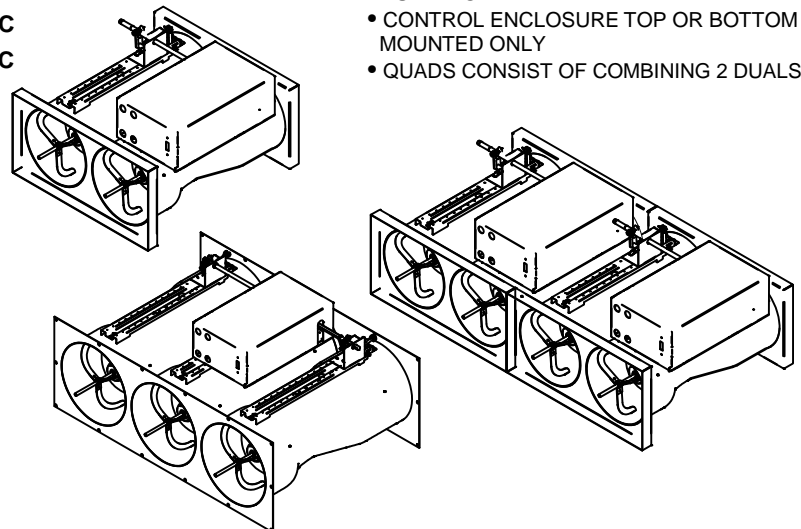
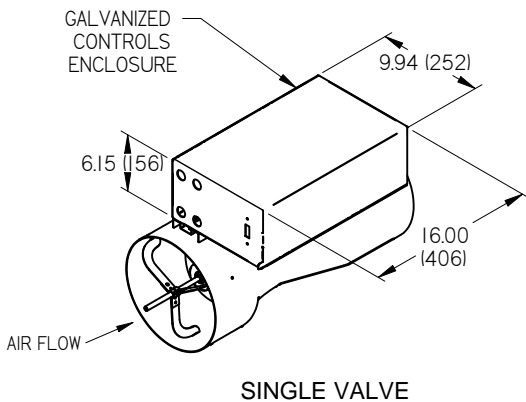
- VARIABLE VOLUME (VAV) WITH **FHC, LMX, TC-E** OR **2P**
- CONSTANT VOLUME (CV) WITH **FHMx, LMX** OR **TC-E**

- MULTIBODY VALVE
- CONTROL ENCLOSURE TOP OR BOTTOM MOUNTED ONLY
 - QUADS CONSIST OF COMBINING 2 DUALS



- VARIABLE VOLUME (VAV) WITH **LSC, PC, TC-S** OR **VC**
- CONSTANT VOLUME (CV) WITH **LSC, PC, TC-S** OR **VC**

- MULTIBODY VALVE
- CONTROL ENCLOSURE TOP OR BOTTOM MOUNTED ONLY
 - QUADS CONSIST OF COMBINING 2 DUALS



ALL METRIC DIMENSIONS () ARE SOFT CONVERTED. IMPERIAL DIMENSIONS ARE CONVERTED TO METRIC AND ROUNDED TO THE NEAREST MILLIMETER / KILOGRAM.

PROJECT:		PRICE
ENGINEER:		
CUSTOMER:		VV-1-1
SUBMITTAL DATE:		258862
SPEC. SYMBOL:		2016/04/15
		VENTURI VALVE

VENTURI VALVE OPTIONS

VALVE TYPE OPTIONS

STANDARD VENTURI VALVE

MEDIUM PRESSURE (M) -
0.6"-3.0" inch w.c. (150-750 Pa),
MEASURED ACROSS VALVE

SINGLE VALVE			MULTIPLE VALVE		
UNIT SIZE	MIN. AIRFLOW CFM (L/s)	MAX AIRFLOW CFM (L/s)	UNIT SIZE	MIN. AIRFLOW CFM (L/s)	MAX AIRFLOW CFM (L/s)
8	35 (17)	700 (330)	210	100 (48)	2000 (944)
10	50 (24)	1000 (472)	212	180 (84)	3000 (1416)
12	90 (42)	1500 (708)	214	400 (188)	5000 (2360)
14	200 (94)	2500 (1180)	312	270 (126)	4500 (2124)
			314	600 (282)	7500 (3540)
			412	360 (168)	6000 (2832)
			414	800 (376)	10000 (4720)

LOW PRESSURE (L) -
0.3"-3.0" inch w.c. (75-750 Pa),
MEASURED ACROSS VALVE

SINGLE VALVE			MULTIPLE VALVE		
UNIT SIZE	MIN. AIRFLOW CFM (L/s)	MAX AIRFLOW CFM (L/s)	UNIT SIZE	MIN. AIRFLOW CFM (L/s)	MAX AIRFLOW CFM (L/s)
8	35 (17)	500 (236)	210	100 (48)	1100 (519)
10	50 (24)	550 (260)	212	180 (84)	2400 (1132)
12	90 (42)	1200 (566)	214	400 (188)	2800 (1320)
14	200 (94)	1400 (660)	312	270 (126)	3600 (1699)
			314	600 (282)	4200 (1980)
			412	360 (168)	4800 (2264)
			414	800 (376)	5600 (2640)

SHUTOFF VENTURI VALVE

STANDARD LEAKAGE - METAL TO METAL SEAL
TO SHUT OFF AIRFLOW

MEDIUM PRESSURE (M) -
0.6"-3.0" inch w.c. (150-750 Pa),
MEASURED ACROSS VALVE


SINGLE VALVE			MULTIPLE VALVE		
UNIT SIZE	MIN. AIRFLOW CFM (L/s)	MAX AIRFLOW CFM (L/s)	UNIT SIZE	MIN. AIRFLOW CFM (L/s)	MAX AIRFLOW CFM (L/s)
8	35 (17)	600 (283)	210	100 (48)	1700 (802)
10	50 (24)	850 (401)	212	180 (84)	2600 (1227)
12	90 (42)	1300 (614)	214	400 (188)	3000 (1415)
14	200 (94)	1500 (708)	312	270 (126)	3900 (1842)
			314	600 (282)	4500 (2167)

LOW PRESSURE (L) -
0.3"-3.0" inch w.c. (75-750 Pa),
MEASURED ACROSS VALVE

SINGLE VALVE			MULTIPLE VALVE		
UNIT SIZE	MIN. AIRFLOW CFM (L/s)	MAX AIRFLOW CFM (L/s)	UNIT SIZE	MIN. AIRFLOW CFM (L/s)	MAX AIRFLOW CFM (L/s)
8	35 (17)	400 (188)	210	100 (48)	1100 (519)
10	50 (24)	550 (260)	212	180 (84)	1800 (840)
12	90 (42)	900 (424)	312	270 (126)	2700 (1260)

*SIZE 14, 214 & 314 LOW PRESSURE VALVES ARE NOT AVAILABLE

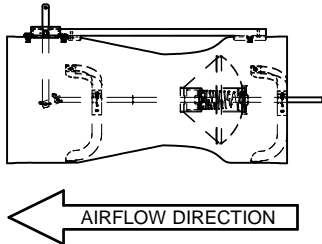
ALL METRIC DIMENSIONS () ARE SOFT CONVERTED. IMPERIAL DIMENSIONS ARE CONVERTED TO METRIC AND ROUNDED TO THE NEAREST MILLIMETER / KILOGRAM.

PROJECT:		 VV-1-1 VENTURI VALVE
ENGINEER:		
CUSTOMER:		
SUBMITTAL DATE:		
SPEC. SYMBOL:		258862
		2016/04/15

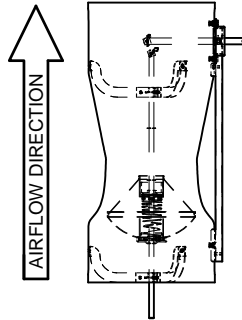
VENTURI VALVE OPTIONS

AIRFLOW ORIENTATION

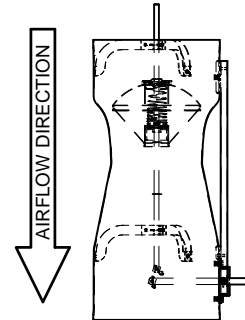
HORIZONTAL (H) VALVE



VERTICAL UP (VU) VALVE - STANDARD VALVES ONLY



VERTICAL DOWN (VD) VALVE - STANDARD VALVES ONLY



ACTUATOR FAIL SAFE OPTIONS

- FAIL IN PLACE (FLP)
- FAIL OPEN POSITION (FOP)
- FAIL CLOSED POSITION (FCP)

ACTUATOR SPEED OPTIONS

- STANDARD SPEED (SSA)
- HIGH SPEED (HSA)


INSULATION

- 3/4" EXTERNAL FIBER FREE FOAM INSULATION (IN)

COATING

- PHENOLIC COATING (P) - VALVE BODY & PLUNGER
- PHENOLIC COATING (P2) - VALVE BODY & INTERNALS, ALL HARDWARE TEFLON COATED STANDARD VALVES ONLY
- KYNAR COATING PVDF (K), - VALVE BODY & INTERNALS, ALL HARDWARE TEFLON COATED STANDARD VALVES ONLY

ALL METRIC DIMENSIONS () ARE SOFT CONVERTED. IMPERIAL DIMENSIONS ARE CONVERTED TO METRIC AND ROUNDED TO THE NEAREST MILLIMETER / KILOGRAM.

PROJECT:		
ENGINEER:		
CUSTOMER:		VV-1-1 VENTURI VALVE
SUBMITTAL DATE:	SPEC. SYMBOL:	258862 2016/04/15

VENTURI CONNECTION OPTIONS

- SLIP CONNECTION (SL) - VALVE SLIPPED WITH 1" OVERLAP, ALL SIZES

SLIP END SPECIFICATIONS, SINGLE VALVE

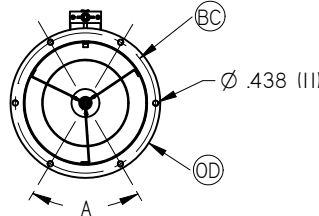
UNIT SIZE	DUCT
	in. (mm)
8	Ø 8" (203)
10	Ø 10" (254)
12	Ø 12" (305)
14	Ø 14" (356)

SLIP END SPECIFICATIONS, MULTIBODY VALVE

UNIT SIZE	DUCT
	in. (mm)
210	22"(559) x 11"(279)
212	26"(660) x 13"(330)
214	30"(762) x 15"(381)
312	39"(991) x 13"(330)
314	45"(1143) x 15"(381)
412	52"(1320) x 13"(330)
414	60"(1524) x 15"(381)

- FLANGED CONNECTION (FL), ALL SIZES

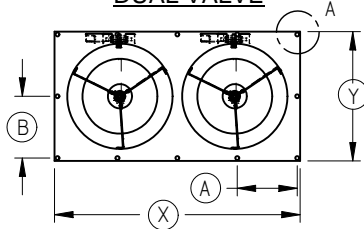
SINGLE VALVE



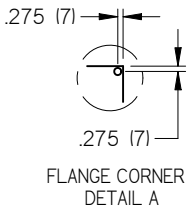
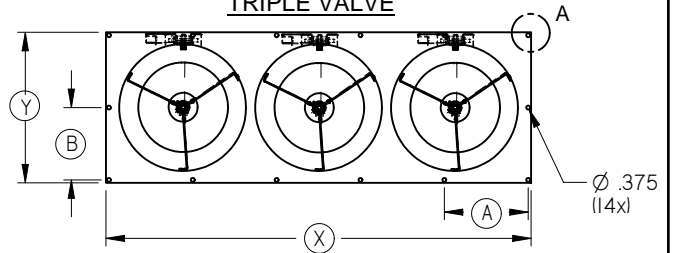
FLANGED END SPECIFICATIONS, SINGLE VALVE

UNIT SIZE	NUMBER OF BOLT HOLES	BC	OD	A
		in. (mm)	in. (mm)	Degrees
8	6	Ø 9.25" (235)	Ø 10" (254)	60
10	6	Ø 11.25" (286)	Ø 12" (305)	60
12	6	Ø 13.25" (337)	Ø 15" (381)	60
14	8	Ø 15.75" (400)	Ø 17" (432)	45

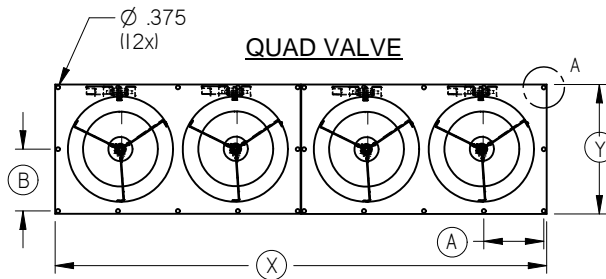
DUAL VALVE



TRIPLE VALVE



QUAD VALVE



FLANGED END SPECIFICATIONS, MULTIBODY VALVE

UNIT SIZE	X	Y	A	B
	in.(mm)	in.(mm)	in. (mm)	in. (mm)
210	23.250 (591)	12.250 (311)	5.675 (144)	5.850 (149)
212	27.250 (692)	14.250 (362)	6.675 (170)	6.850 (174)
214	31.250 (794)	16.250 (413)	7.675 (195)	7.850 (199)
312	40.250 (1022)	14.250 (362)	7.940 (202)	6.850 (174)
314	46.250 (1175)	16.250 (413)	7.617 (193)	7.850 (199)
412	54.500 (1384)	14.250 (362)	6.675 (170)	6.850 (174)
414	62.500 (1588)	16.250 (413)	7.675 (195)	7.850 (199)

NOTE: PLEASE REFER TO VENTURI VALVE USER GUIDE FOR INSTALLATION INSTRUCTIONS.

ALL METRIC DIMENSIONS () ARE SOFT CONVERTED. IMPERIAL DIMENSIONS ARE CONVERTED TO METRIC AND ROUNDED TO THE NEAREST MILLIMETER / KILOGRAM.

PROJECT:		 VV-1-1 VENTURI VALVE
ENGINEER:		
CUSTOMER:		
SUBMITTAL DATE:	SPEC. SYMBOL:	
		258862 2016/04/15