

MVM

MULTI-VARIABLE MONITOR

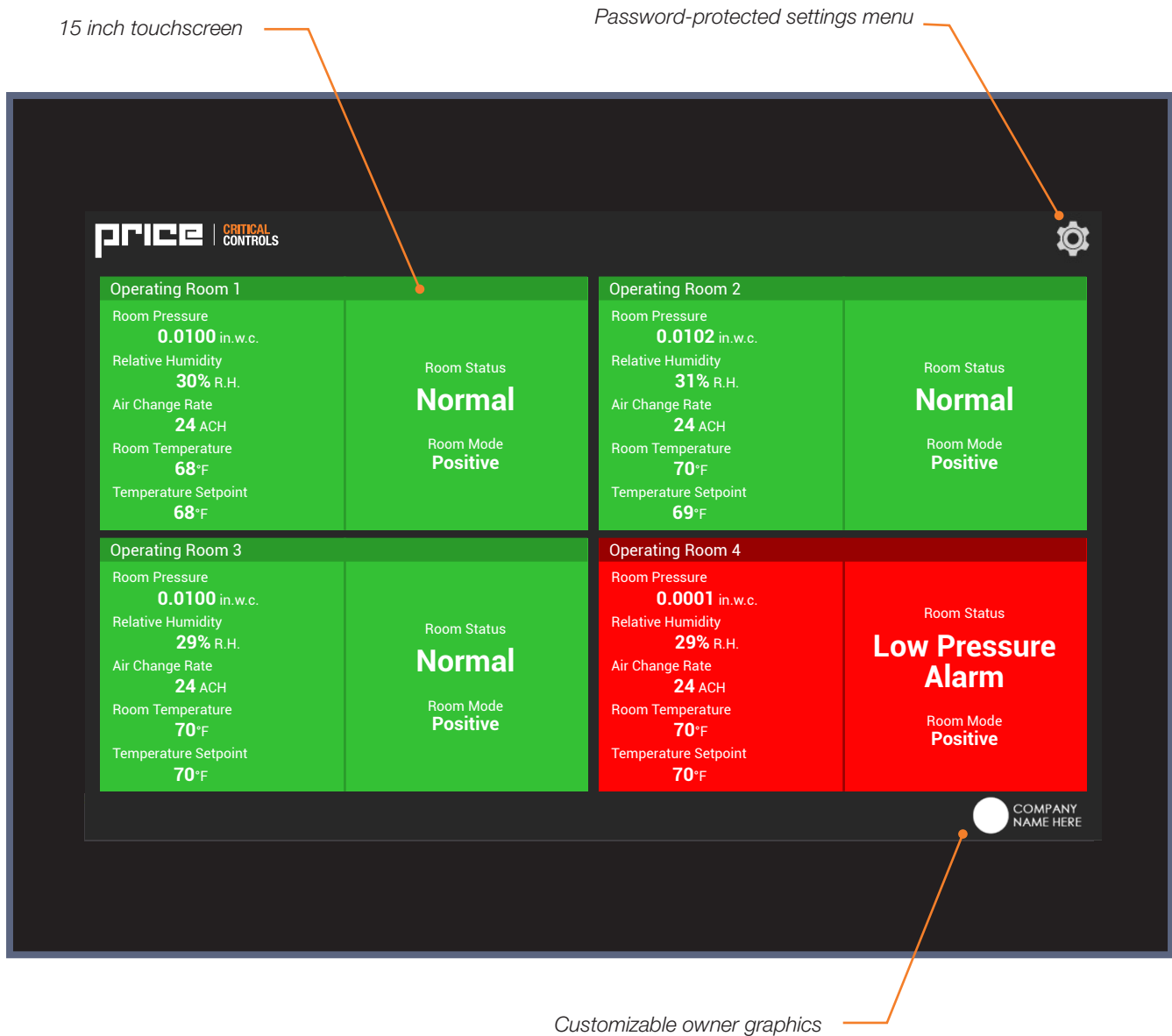


MVM

Multi-Variable Monitor

The Price Multi-Variable Monitor (MVM) is a highly adaptable touchscreen interface designed to display critical information of each room. The MVM is configurable as a remote station to monitor multiple rooms or as a single room interface.

The high resolution, 7 or 15 inch touchscreen can display any BACnet point including alarm status, room temperature and humidity, room pressure, air change rate and occupancy. The MVM allows for simple visual indication of room status. Audible alarms are available for additional room status identification ensuring building staff are able to verify changes in room status immediately.



SINGLE ROOM MONITORING

The MVM is available for single space monitoring and enables the display of multiple room variables for a single space. When located in the monitored room, all critical room information can be easily read from a single location by building staff.



Single Room View

MULTIPLE ROOM MONITORING

An alternative use for the MVM is to monitor room status of multiple spaces. In this configuration, the room status of multiple rooms can be viewed by building staff from a central or remote station.



Eight Room View

TYPICAL APPLICATIONS

The MVM provides monitoring of room variables for critical spaces. The MVM is used as a remote station to monitor multiple rooms or as a room interface for a single space. The device supports both BACnet MS/TP and BACnet IP to connect to the BMS Network. The MVM can display any BACnet point to make it visible to the user allowing for simple room status indication.

APPLICATIONS

- + Operating Rooms
- + Remote monitoring station

FEATURES

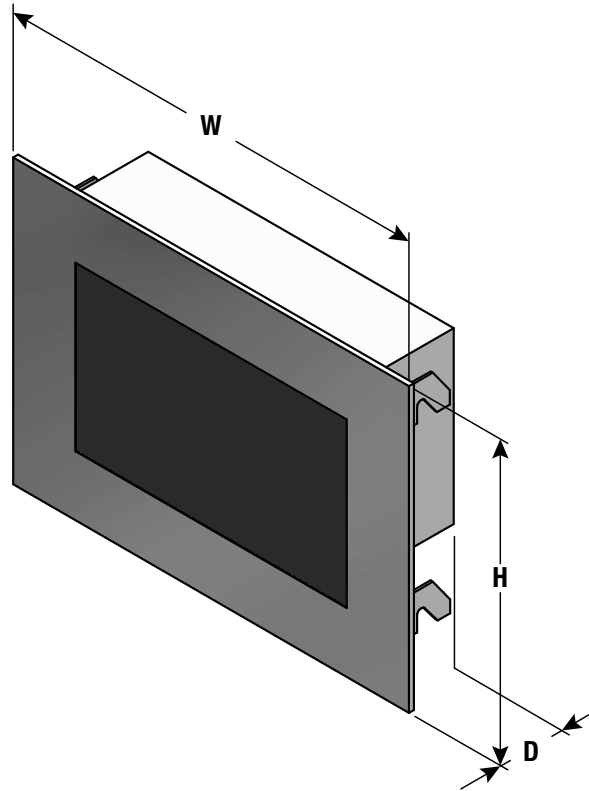
- + 7 or 15 inch high-resolution touchscreen display
- + Password protected menus
- + BACnet MS/TP or BACnet IP

SPECIFICATIONS

Unit	7 inch	15 inch
Display type	Capacitive touch, 7.0 in. (178 mm), TFT, dimmable	Capacitive touch, 15.0 in. (381 mm), TFT, dimmable
Resolution	800 px x 480 px, 262144 colors	1024 px x 768 px, 262144 colors
Input Power	24 VAC, 14 VA, Class 2	24 VAC, 25 VA, Class 2
Enviromental (operating)	50°F to 105°F (10°C to 40°C), 10% to 90% R.H. (non-condensing)	
Communication Protocol	BACnet MS/TP, BACnet IP	
Face	Glass, IP54	

Specifications subject to change without notice

DIMENSIONAL DATA



Unit	W	H	D
7 inch	8.8 in. (223 mm)	6.4 in. (162 mm)	2.6 in (65 mm)
15 inch	15.5 in. (394 mm)	12.5 in. (318 mm)	2.6 in (65 mm)