

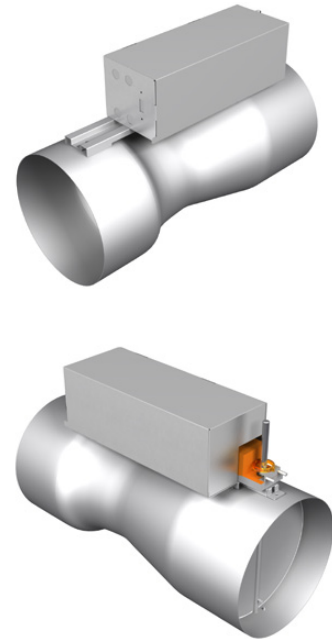
**PRODUCT OVERVIEW**

## VENTURI FX (VFX)

The Price Venturi FX is designed specifically for room pressure applications. Paired with the maintenance-free, high accuracy Price Pressure Transducer (PTX) and an actuator, the VFX achieves precise airflow measurement and control for healthcare environments.

During operation, the Venturi FX measures flow using non-invasive measuring ports installed perpendicular to the airflow stream, greatly reducing the risk of lint or other airborne particulates interfering with the control or accuracy of the valve. In addition, the Venturi FX operates at a low pressure drop while achieving required airflow.

Several Venturi FX accessories are available with the Venturi FX including silencers, hot water coils certified to AHRI 410 and electric coils ETL certified to UL1996. All accessories are manufactured in-house with designs optimized for close coupling with the valve.



**SPECIFICATIONS**

**Construction**

- Valve Body: 14 Ga. Aluminum
- Damper: 16 Ga. Galv steel
- Damper Shaft: Zinc-plated steel

**Options**

- Connection: Flanged, Slip and Drawband clamp
- External Foam Insulation
- Multibody configurations

**Operation**

- Temperature Rating: 32 – 120°F
- Humidity Rating: 5 – 95% RH non-condensing
- Closed loop control design
- Measured airflow feedback
- Accuracy within +/-5% of measured airflow
- Less than 1 second response to feedback signal
- Pressure independent

**Operational Flow Range**

SIZE	RANGE
8	80 - 800 CFM
10	120 - 1300 CFM
12	180 - 1800 CFM
14	250 - 2500 CFM

*Specifications subject to change without notice*

**OPERATING PRESSURE**

Size	Units	Airflow Range					
		Minimum					Maximum
8	CFM	80	326	488	617	727	800
10	CFM	120	459	735	937	1111	1300
12	CFM	180	666	1077	1366	1605	1800
14	CFM	250	931	1378	1721	2010	2500
Operating Pressure	in.w.c.	< 0.01	0.025	0.05	0.075	0.1	0.15

**PRODUCT CODE**

**VFX-108-AL-IN-SL-SSA-FLP-PTX**

Size	Construction	Insulation	Connection Type	Actuator Type	Actuator Fail Safe	Feedback Signal
<b>108</b> - Size 8 <b>110</b> - Size 10 <b>112</b> - Size 12 <b>114</b> - Size 14	<b>AL</b> - Aluminum Construction	<b>IN</b> - ¾" Fiber Free External Insulation	<b>FL</b> - Flange Connection <b>SL</b> - Slip Connection	<b>SSA</b> - Standard Speed	<b>FLP</b> - Fail Last Position <b>FCP</b> - Fail Closed Position <b>FOP</b> - Fail Open Position	<b>PTX</b> - Price Pressure Transducer