

| UNIT SIZE | OUTLET | | INLET |
|-----------|----------|------------|----------|
| | B | C | D |
| 8 | 12 (305) | 10 (254) | 8 (203) |
| 10 | 14 (356) | 12.5 (318) | 10 (254) |
| 12 | 16 (406) | 15 (381) | 12 (305) |
| 14 | 20 (508) | 17.5 (445) | 14 (356) |

SEE CATALOGUE FOR DETAILED CFM RANGE AND HEATING CAPACITY.

- NOTES:**
1. FABRICATED FROM 20 GA. GALVANIZED STEEL, MECHANICALLY SEALED, LEAK RESISTANT CONSTRUCTION.
 2. RECTANGULAR DISCHARGE OPENINGS HAVE SLIP & DRIVE CLEAT DUCT CONNECTIONS.
 3. CONTROL ASSEMBLY WILL BE SUPPLIED AS ILLUSTRATED ON RIGHT HAND SIDE UNLESS SPECIFIED OTHERWISE.
 4. REFER TO CONTROLS SEQUENCE FOR SUPPLIER OF DIGITAL CONTROLS.
 5. SCR CONTROLS OVER 25 AMPS 3 ϕ USE 19" (483) CONTROL BOX.
 6. ASSEMBLY ETL CERTIFIED TO UL1995 & CSA236.
 7. MINIMUM AIRFLOW MUST BE AT LEAST 70 CFM PER KILOWATT.
 8. A MINIMUM STATIC PRESSURE OF 0.2 W.C. ACROSS ELECTRIC COIL ASSEMBLY IS RECOMMENDED FOR STABLE OPERATION.



STANDARD COIL FEATURES:

- AUTOMATIC RESET THERMAL CUTOUT
- MANUAL RESET THERMAL CUTOUT
- LOW WATT DENSITY ELEMENTS, HIGH GRADE NICKEL-CHROME ALLOY
- MAGNETIC CONTACTORS
- AIR FLOW SWITCH
- 24VAC/50VAC CLASS 2 TRANSFORMER
- HINGED ACCESS DOOR
- SINGLE POINT ELECTRICAL CONNECTION
- REFER TO SUBMITTED CONTROL DIAGRAMS FOR STANDARD CONTROL COMPONENTS TO BE SUPPLIED.
- MAIN SUPPLY FUSES
- DOOR INTERLOCK DISCONNECT SWITCH

EC CONTROL OPTIONS:

- 1 STAGE
- 2 STAGE
- 3 STAGE
- SCR CONTROLS 0 to 10 Vdc CONTROL SIGNAL

LINER OPTIONS:

- CRAF
- SM
- FF (HEATER SECTION IS NOT INSULATED)

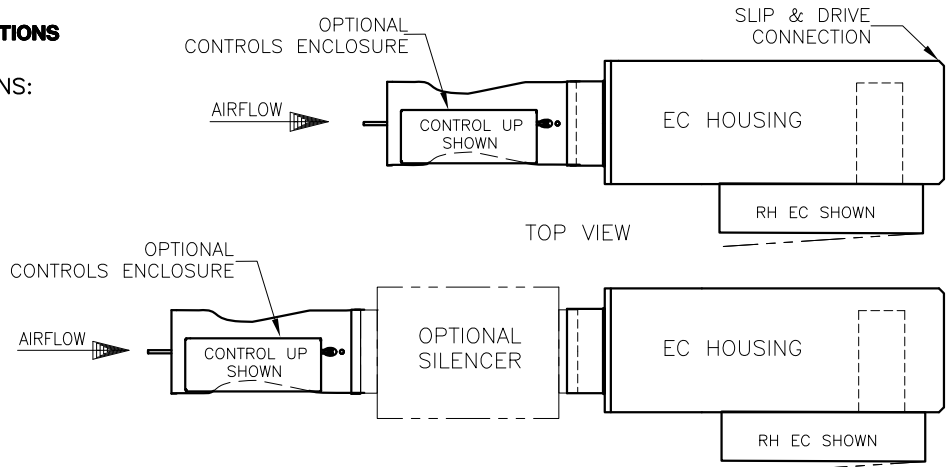
SUPPLY VOLTAGE:

- 120/1 ϕ
- 208/1 ϕ (2 WIRE)
- 208/3 ϕ (3 WIRE)
- 240/1 ϕ
- 277/1 ϕ
- 347/1 ϕ
- 480/1 ϕ
- 480/3 ϕ (3 WIRE)
- 600/3 ϕ (3 OR 4 WIRE)

SINGLE VALVE, CONTROLS & EC CONFIGURATIONS

CONTROL ENCLOSURE ORIENTATION OPTIONS:

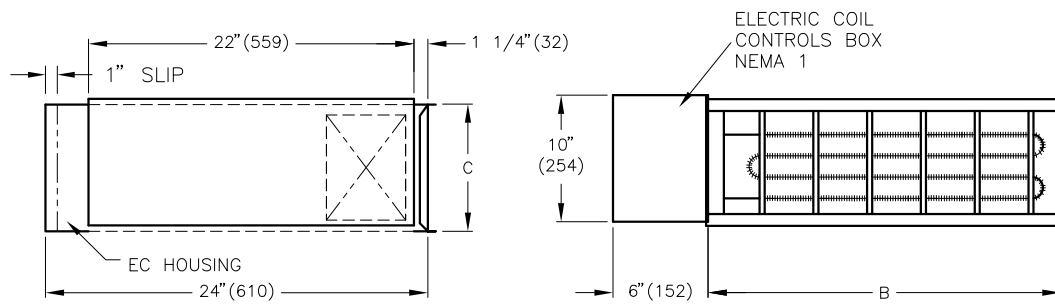
- RH EC / CONTROL UP
- RH EC / CONTROL DOWN
- RH EC / CONTROL LH
- RH EC / CONTROL RH
- LH EC / CONTROL UP
- LH EC / CONTROL DOWN
- LH EC / CONTROL LH
- LH EC / CONTROL RH



SHIPPED LOOSE UNLESS OTHERWISE SPECIFIED.

ALL METRIC DIMENSIONS () ARE SOFT CONVERTED. IMPERIAL DIMENSIONS ARE CONVERTED TO METRIC AND ROUNDED TO THE NEAREST MILLIMETER.

| | | |
|------------------------|--------|---|
| PROJECT: | | |
| ENGINEER: | | |
| CUSTOMER: | | VVEC-1-1 ACCESSORY ELECTRIC COIL WITH HOUSING SIZES 8-14 |
| SUBMITTAL DATE: | | |
| SPEC. SYMBOL: | 259625 | 2011/12/15 |



| UNIT SIZE | OUTLET | |
|-----------|----------|----------|
| | B | C |
| 210 | 22 (559) | 11 (279) |
| 212 | 26 (660) | 13 (330) |
| 214 | 30 (762) | 15 (381) |
| 312 | 39 (991) | 13 (330) |

SEE CATALOGUE FOR DETAILED CFM RANGE AND HEATING CAPACITY.

- NOTES:**
1. FABRICATED FROM 20 GA. GALVANIZED STEEL, MECHANICALLY SEALED, LEAK RESISTANT CONSTRUCTION.
 2. RECTANGULAR DISCHARGE OPENINGS HAVE SLIP & DRIVE CLEAT DUCT CONNECTIONS.
 3. CONTROL ASSEMBLY WILL BE SUPPLIED AS ILLUSTRATED ON RIGHT HAND SIDE UNLESS SPECIFIED OTHERWISE.
 4. REFER TO CONTROLS SEQUENCE FOR SUPPLIER OF DIGITAL CONTROLS.
 5. SCR CONTROLS OVER 25 AMPS 3ϕ USE 19" (483) CONTROL BOX.
 6. ASSEMBLY ETL CERTIFIED TO UL1995 & CSA236.
 7. MINIMUM AIRFLOW MUST BE AT LEAST 70 CFM PER KILOWATT.
 8. A MINIMUM STATIC PRESSURE OF 0.2 W.C. ACROSS ELECTRIC COIL ASSEMBLY IS RECOMMENDED FOR STABLE OPERATION.



STANDARD COIL FEATURES:

- AUTOMATIC RESET THERMAL CUTOUT
- MANUAL RESET THERMAL CUTOUT
- LOW WATT DENSITY ELEMENTS, HIGH GRADE NICKEL-CHROME ALLOY
- MAGNETIC CONTACTORS
- AIR FLOW SWITCH
- 24VAC/50VAC CLASS 2 TRANSFORMER
- HINGED ACCESS DOOR
- SINGLE POINT ELECTRICAL CONNECTION
- REFER TO SUBMITTED CONTROL DIAGRAMS FOR STANDARD CONTROL COMPONENTS TO BE SUPPLIED.
- MAIN SUPPLY FUSES
- DOOR INTERLOCK DISCONNECT SWITCH

EC CONTROL OPTIONS:

- 1 STAGE
- 2 STAGE
- 3 STAGE
- SCR CONTROLS 0 to 10 Vdc CONTROL SIGNAL

LINER OPTIONS:

- CRAF
- SM
- FF (HEATER SECTION IS NOT INSULATED)

SUPPLY VOLTAGE:

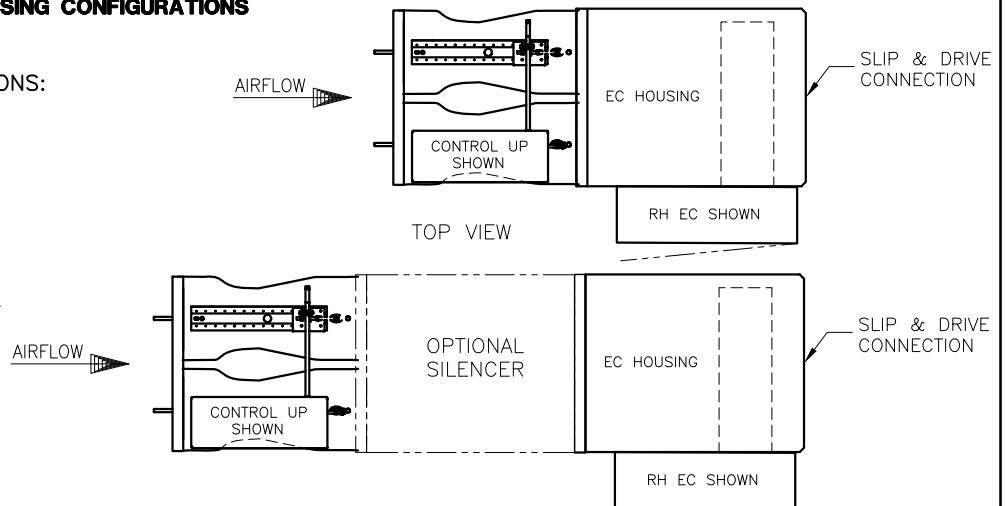
- 120/1 ϕ
- 208/1 ϕ (2 WIRE)
- 208/3 ϕ (3 WIRE)
- 240/1 ϕ
- 277/1 ϕ
- 347/1 ϕ
- 480/1 ϕ
- 480/3 ϕ (3 WIRE)
- 600/3 ϕ (3 OR 4 WIRE)

MULTIBODY VALVE, CONTROLS & EC HOUSING CONFIGURATIONS

CONTROL ENCLOSURE ORIENTATION OPTIONS:

- RH EC / CONTROL UP
- RH EC / CONTROL DOWN
- LH EC / CONTROL UP
- LH EC / CONTROL DOWN

SHIPPED LOOSE UNLESS OTHERWISE SPECIFIED.



ALL METRIC DIMENSIONS () ARE SOFT CONVERTED. IMPERIAL DIMENSIONS ARE CONVERTED TO METRIC AND ROUNDED TO THE NEAREST MILLIMETER.

| | | | |
|------------------------|----------------------|---------------|---|
| PROJECT: | | PRICE® | |
| ENGINEER: | | | |
| CUSTOMER: | | 259625 | VVEC-1-1 ACCESSORIES ELECTRIC COIL WITH HOUSING SIZES 210, 212, 214, 312 |
| SUBMITTAL DATE: | SPEC. SYMBOL: | 2011/12/15 | |