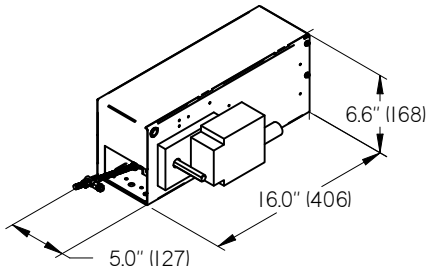
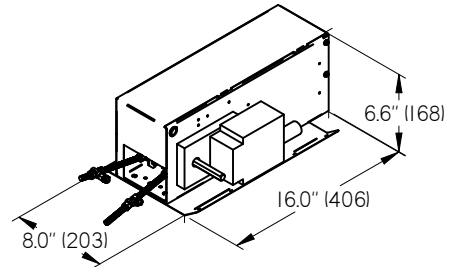


RETROFIT KIT

SINGLE VALVE

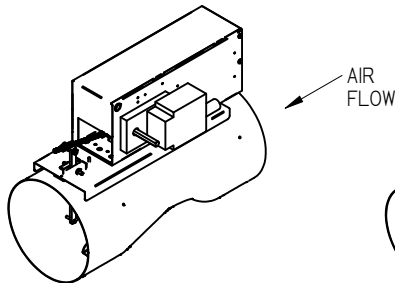


DUAL VALVE

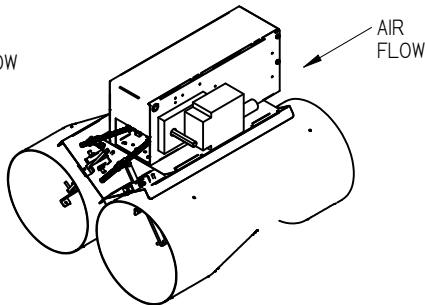


**MOUNTING SPECIFICATIONS:**

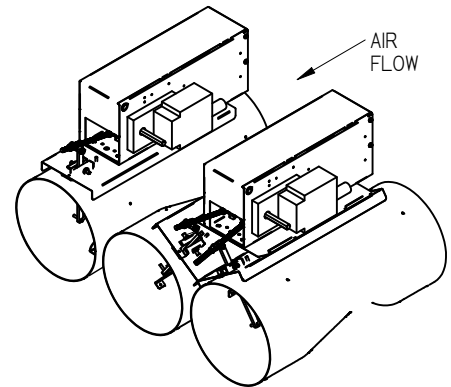
SINGLE VALVE



DUAL VALVE



TRIPLE VALVE\*  
- COMBINATION OF SINGLE VALVE AND DUAL VALVE RETROFIT KITS



**ACTUATOR FAIL SAFE OPTIONS**

- FAIL IN PLACE (FLP)
- FAIL OPEN POSITION (FOP)
- FAIL CLOSED POSITION (FCP)

**ACTUATOR SPEED OPTIONS**

- STANDARD SPEED (SSA)
- HIGH SPEED (HSA)

**ACTUATOR CONTROL OPTIONS**

- VDC CONTROL SIGNAL (VDC)
- 2-POSITION CONTROL SIGNAL (2P)

**NOTES:**

- .060" GALV MOUNTING PLATES
- ASSEMBLY TO BE MOUNTED IN THE FIELD DIRECTLY ON RETROFIT VALVE
- NO MOUNTING HARDWARE INCLUDED
- PLEASE REFER TO THE RETROFIT KIT USER GUIDE FOR INSTALLATION INSTRUCTIONS

ALL METRIC DIMENSIONS ( ) ARE SOFT CONVERTED. IMPERIAL DIMENSIONS ARE CONVERTED TO METRIC AND ROUNDED TO THE NEAREST MILLIMETER.

PROJECT:		<b>PRICE</b>
ENGINEER:		
CUSTOMER:		<b>VVR-1-1 RETROFIT KIT</b>
	<b>265556</b>	
SUBMITTAL DATE:	SPEC. SYMBOL:	2016/07/04